

Serial interface

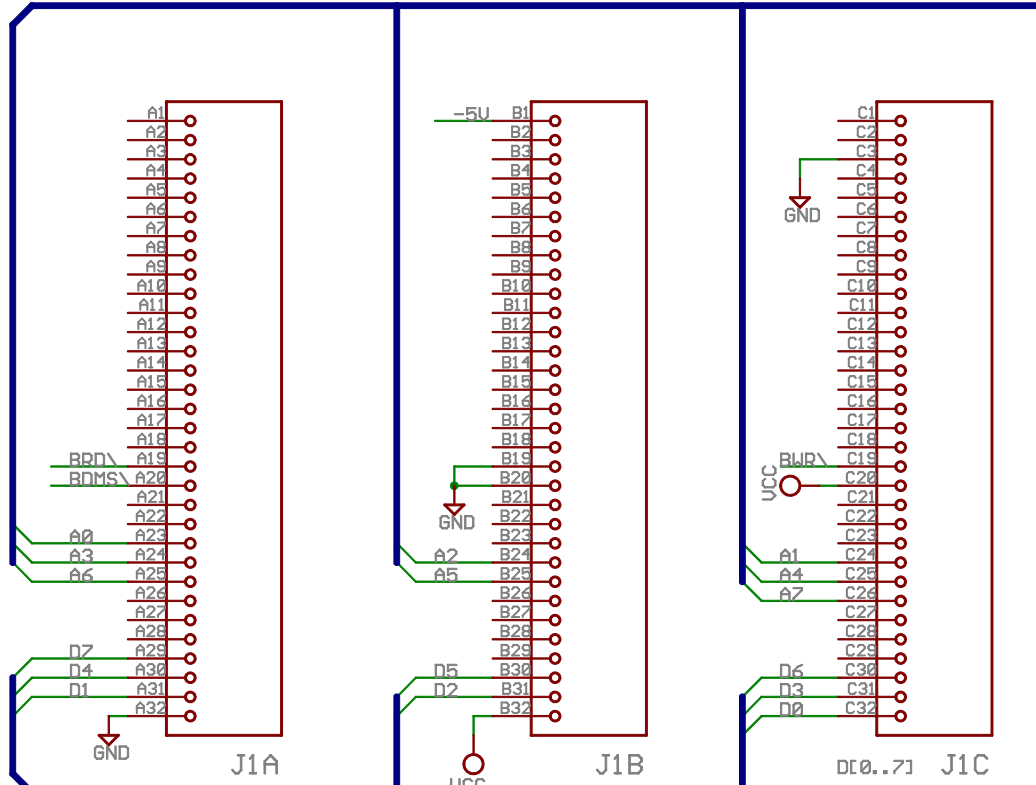
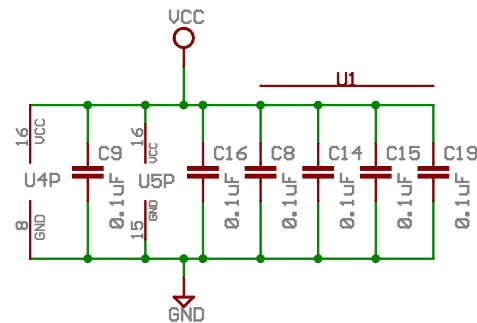
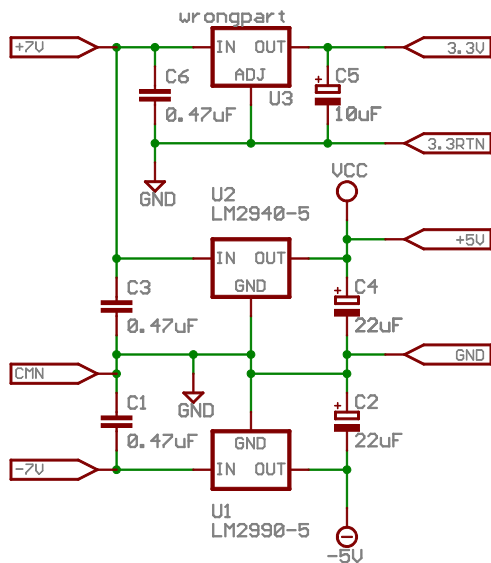
TITLE: sweden

Document Number:

REV:
1.0

Date: not saved

Sheet: 1/2



<h3>Power and connectors</h3>	
TITLE: sweden	
Document Number:	REV: 1.0
Date: not saved!	Sheet: 2/2